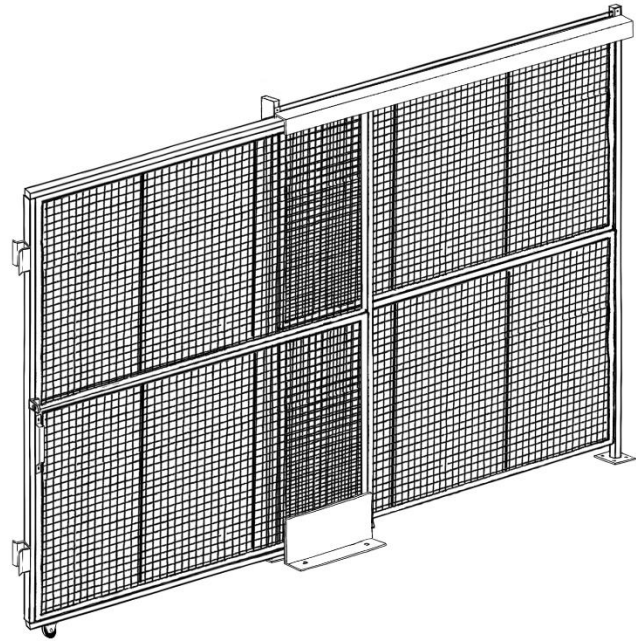
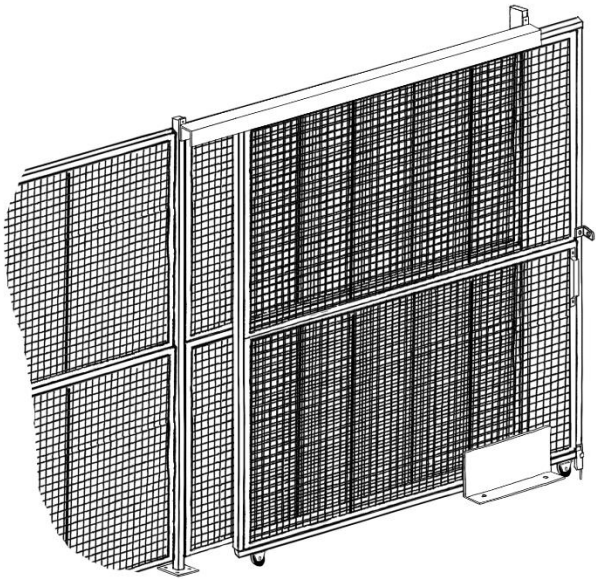


INSTALLATION MANUAL

For the most current release of this manual,
please visit our website at cogan.com

V.2015.1



Product	Safegarde® Partition Gate
Sub-product	Bi-parting tunnel door

- Equipped with a padlock hasp and cane bolt.
- Upper rails are bolted to each side of the opening to provide a full clearance height.



A Tradition of Quality Since 1901

cogan.com

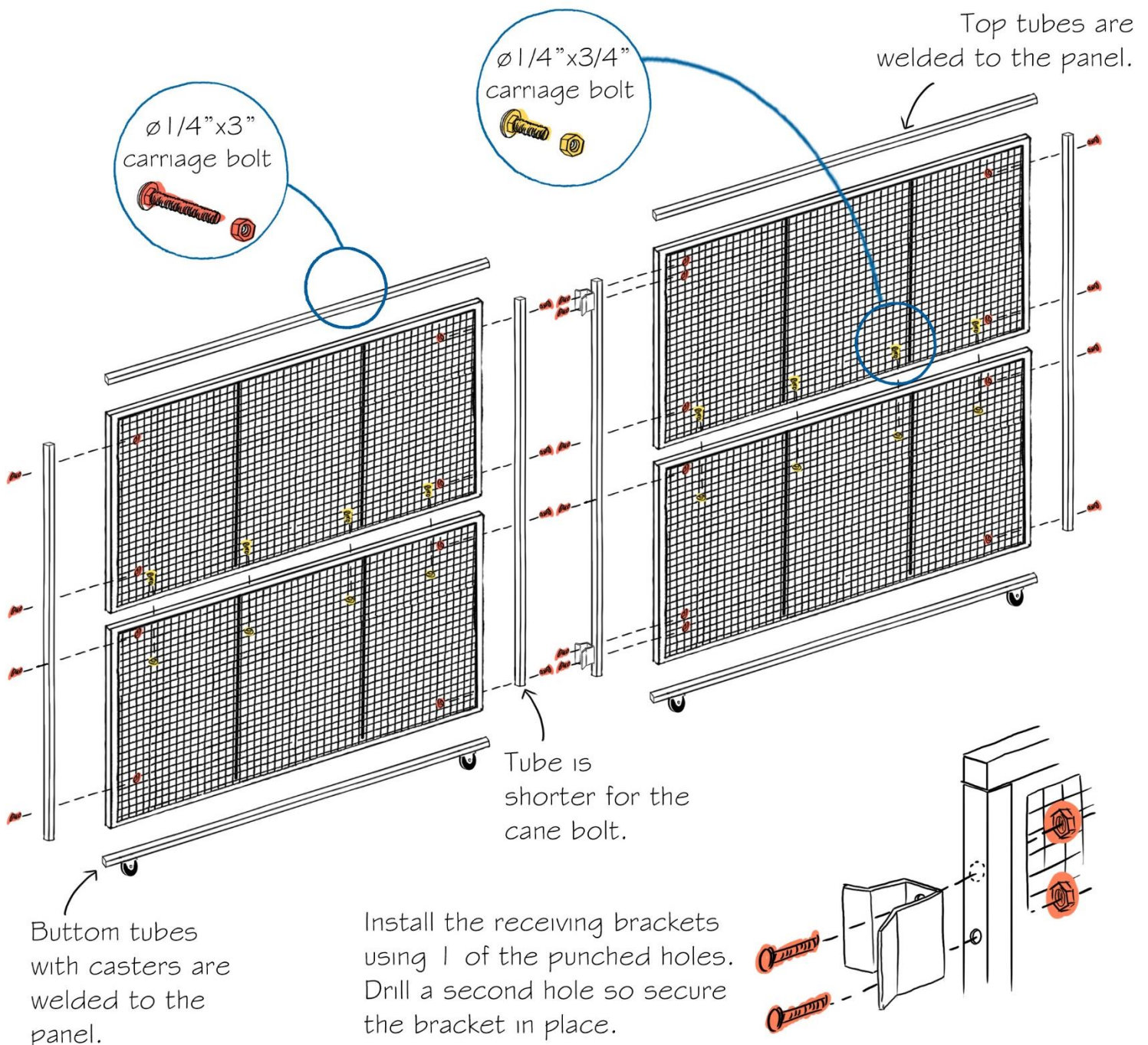
STEP 1 DOORS ASSEMBLY

Make sure to follow the installation drawings provided with the material since both doors have different components.

Multiple panels are often required for bigger doors. Assemble panels together using $\varnothing 1/4$ "x $3/4$ " carriage bolt.

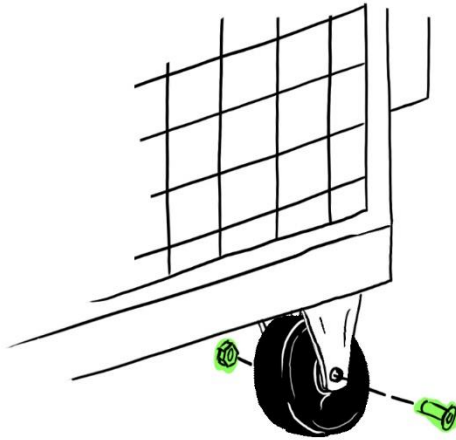
Install the tubing all around the assembled door using $\varnothing 1/4$ "x 3" carriage bolts.

The tubes with welded caster frame shall be installed on the bottom.



STEP 2 CASTERS

Weld the caster to the frame.



Specially
marked provided
hardware

$\varnothing 1/4$ "x3"
carriage bolt



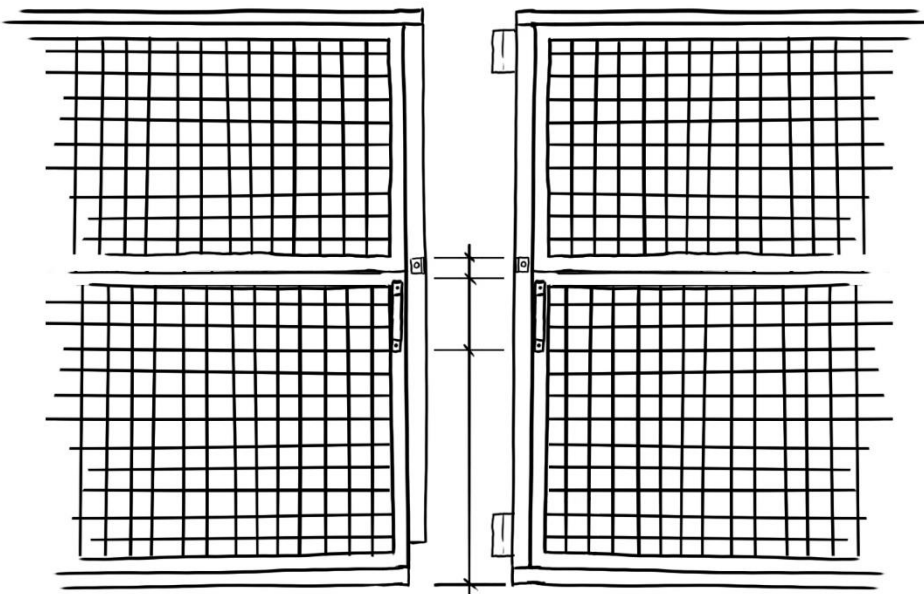
STEP 3 HANDLE AND HASP

Install both handles at the same height. Drill a hole and fasten the handles to the door tubing using $\varnothing 1/4$ " x 3" carriage bolts.

Fasten one hasp on each door by making sure they are at the exact same height.

Drill a hole and fasten to the door tubing using $\varnothing 1/4$ " x 3" carriage bolts.

Refer to installation drawings for exact height.

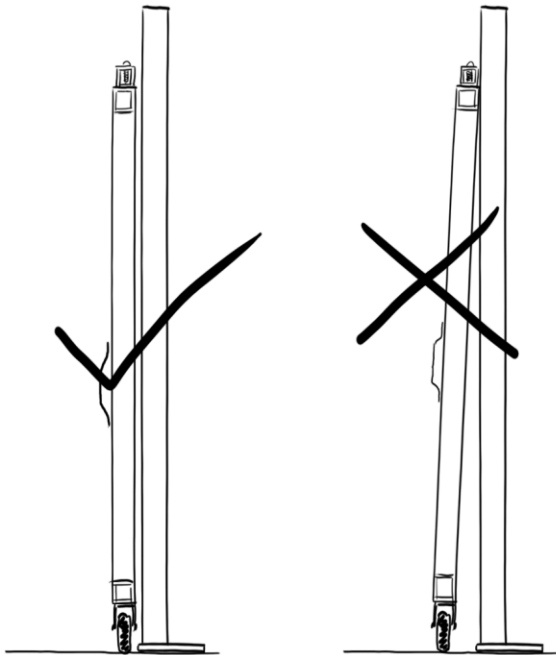


STEP 4

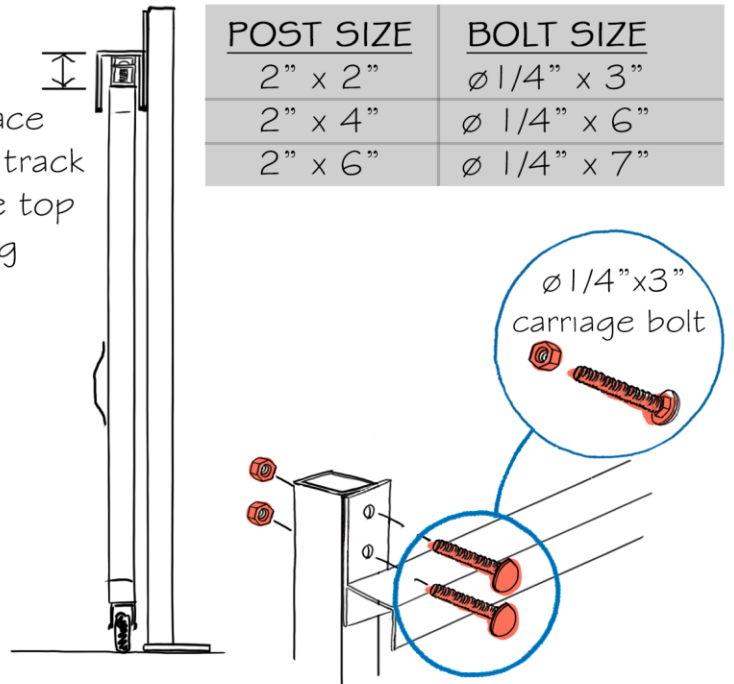
SLIDING TRACK

You must leave a 2" spacing between the top of the doors and the track. Bolt the sliding track bracket to the post using $\varnothing 1/4"$ x 3" carriage bolt. You must install one track on both opening side for both sliding doors.

Once the doors are assembled, lift them up and lay them vertically against the partition posts. Position one on each side of the opening.



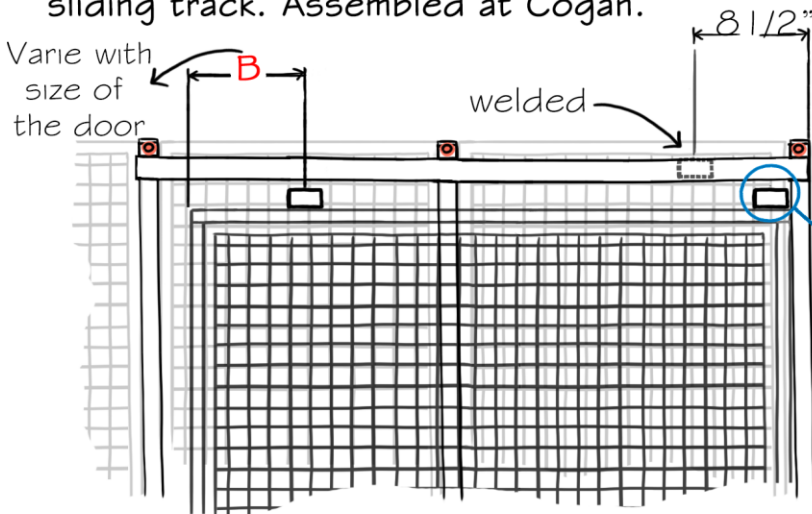
2" space between track and gate top tubing



STEP 5

SECURING THE SLIDING TRACK

The stopper block is **welded** inside the sliding track at 8 1/2" from the gate opening. Two more stopper blocks will be welded on the top of the door frame. One Flush to the gate opening and the second will varie with the door size. **You must secure both sliding track. Assembled at Cogan.**



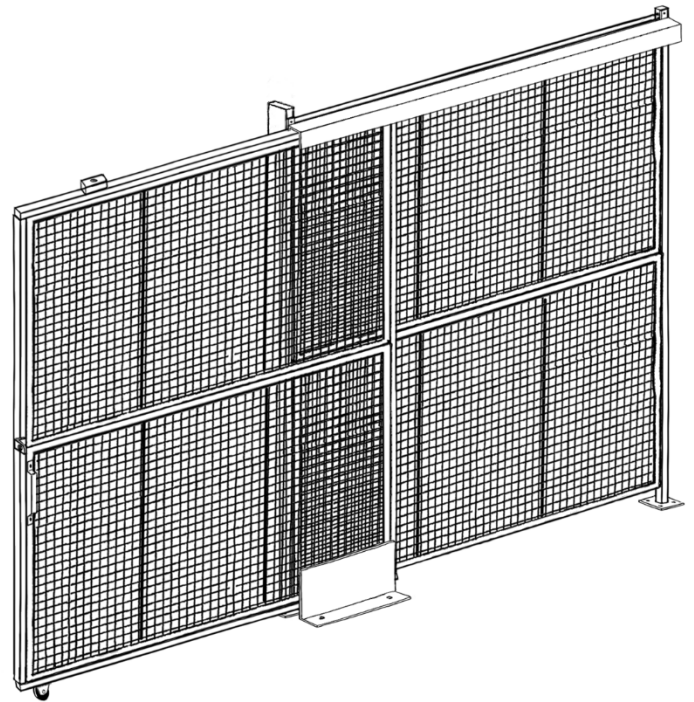
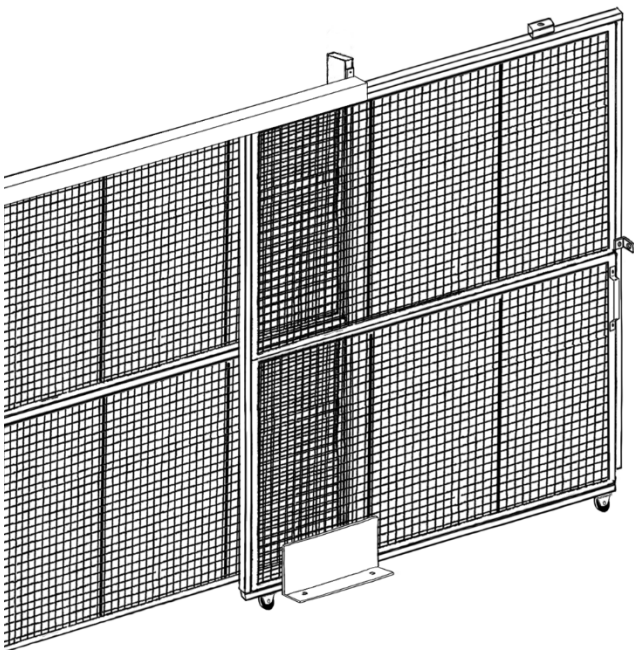
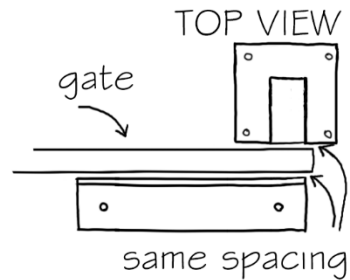
**The clients has the option of welding the stopper block.

Gate Size	Stopper Block Placement(B)
72"(6')	3"
96"(8')	3"
120"(10')	6"
144"(12')	10"
180"(15')	11"
192"(16')	11"

STEP 6**FLOOR GUIDE (one on each side)**

Hammer drill a hole with the same nominal diameter and at least as deep as the length of the anchor.

Use $\varnothing 3/8$ " x 2 3/4" anchors

**STEP 7****CANE BOLT**

The cane bolt is already assembled and welded on door frame. To finish the installation, drill a $\varnothing 5/8$ " hole in concrete to receive the cane bolt.

